

POWERFLEX®

PART NUMBER

PFF5-1002

DESCRIPTION

FRONT LOWER CONTROL ARM INNER BUSH

INSTALLATION GUIDE

Contents (parts per pack):

- | | |
|-----------------------------|-----------------------------|
| 2 x Polyurethane Bushes | 2 x Mild Steel Outer Shells |
| 2 x Stainless Steel Sleeves | 4 x Washers |
| 1 x PTFE/Silicone Grease | |

Please read the complete fitting instructions and check package components before fitment. These fitting instructions are to be used as a guide and in conjunction with workshop manual.

It is recommended that:

- all work to be carried out by a licensed technician;
- all safety precautions adhered to;
- wheel alignment to be checked and adjusted as required after any suspension work.
- All fasteners must be tensioned to manufacturer's torque settings.

Fitting Instructions:

1. Remove the wishbone from the vehicle and press out the original rubber bush, including its outer shell.
2. Clean any dirt and corrosion from the bore of the arm and remove any sharp edges or burrs with a rounded file.
3. Press the outer shell into the arm as shown in Fig 1. Make sure the shell is square to the arm and it is pressed in with the leading edge first until the flange of the shell is flush with the chamfered portion of the arm.
4. Press the polyurethane bush into the outer shell.

Tip: Apply some washing-up liquid to the bore of the shell and the chamfer of the bush to ease the fitment. It is also recommended to use a guide tube to help fit the bush into the outer shell.

5. Apply some of the supplied grease to the bore of the bush and press the sleeve into the bush until flush with both end faces. Grease should also be applied to the end faces of the bush.

6. When refitting the arm to the vehicle, ensure that the supplied washers are placed on either side of the bush between the bush face and subframe.

7. Tension all hardware to the manufacturer's recommended torque settings.

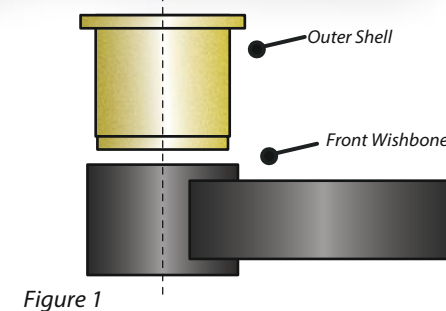


Figure 1

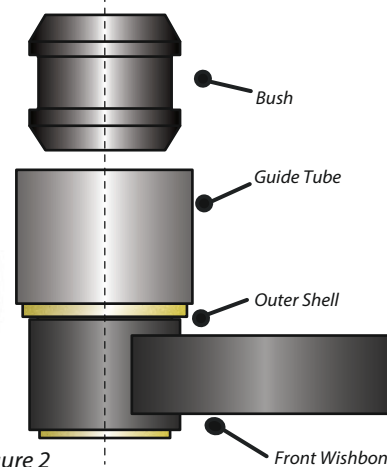


Figure 2

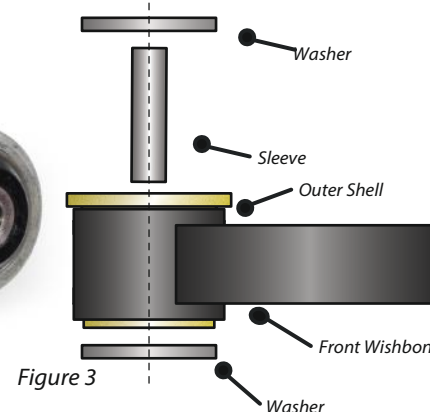
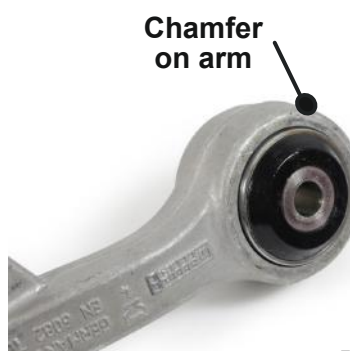


Figure 3