

POWERFLEX®

PART NUMBER

PFC-X

DESCRIPTION

ANTI-ROLL BAR LATERAL SUPPORT CLAMPS

INSTALLATION GUIDE

Contents (parts per pack):

4 x CNC Aluminium Clamps

4 x High Tensile Steel Bolts

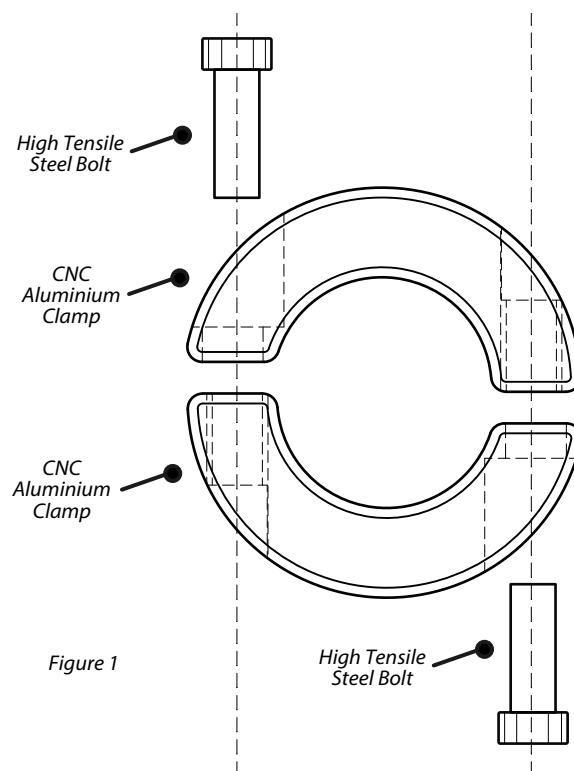
Please read the complete fitting instructions and check package components before fitment. These fitting instructions are to be used as a guide and in conjunction with workshop manual.

It is recommended that:

- all work to be carried out by a licensed technician;
- all safety precautions adhered to;
- wheel alignment to be checked and adjusted as required after any suspension work.
- All fasteners must be tensioned to manufacturer's torque settings.

Fitting Instructions:

1. Attach the clamp to the anti roll bar with the longer end facing another clamp's shorter end.
2. Secure the clamp with the supplied bolts through the bore of the shorter ends. Ensure clamps have clearance to allow for rotation without contact with surrounding hardware.
3. Tension all hardware to manufacturers recommended torque settings.



Part Number	Torque
PFC13-14	7Nm
PFC15-16	7Nm
PFC17-18	10Nm
PFC19-20	10Nm
PFC21-22	10Nm
PFC23-24	10Nm
PFC25-27	10Nm
PFC28-30	10Nm
PFC31-33	10Nm

